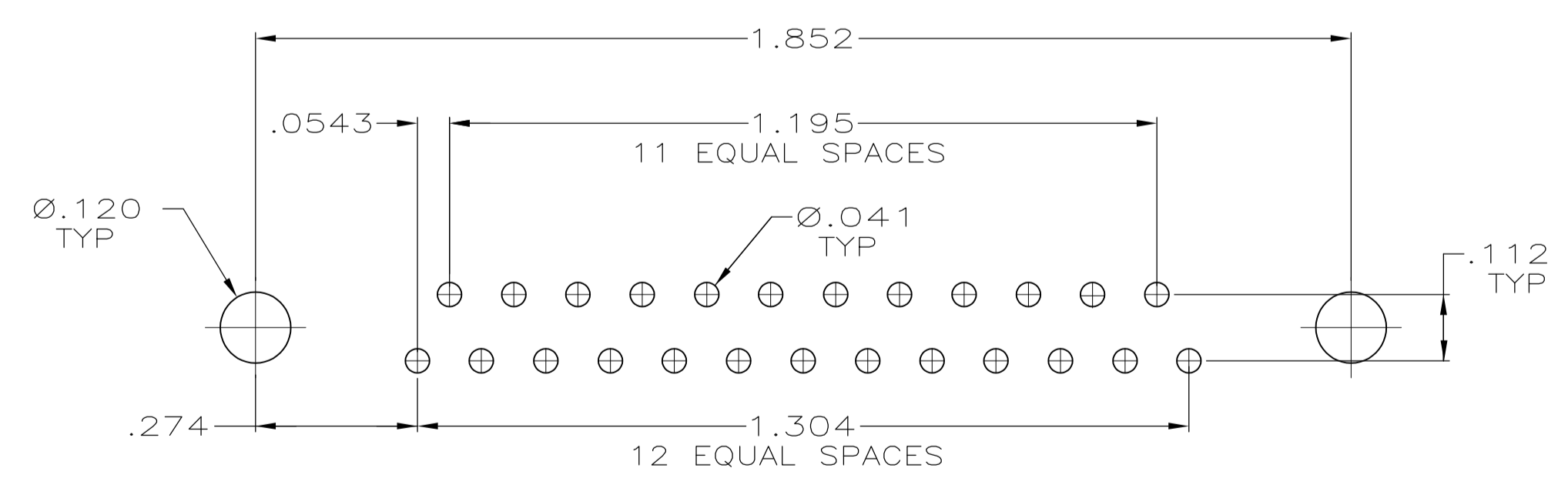
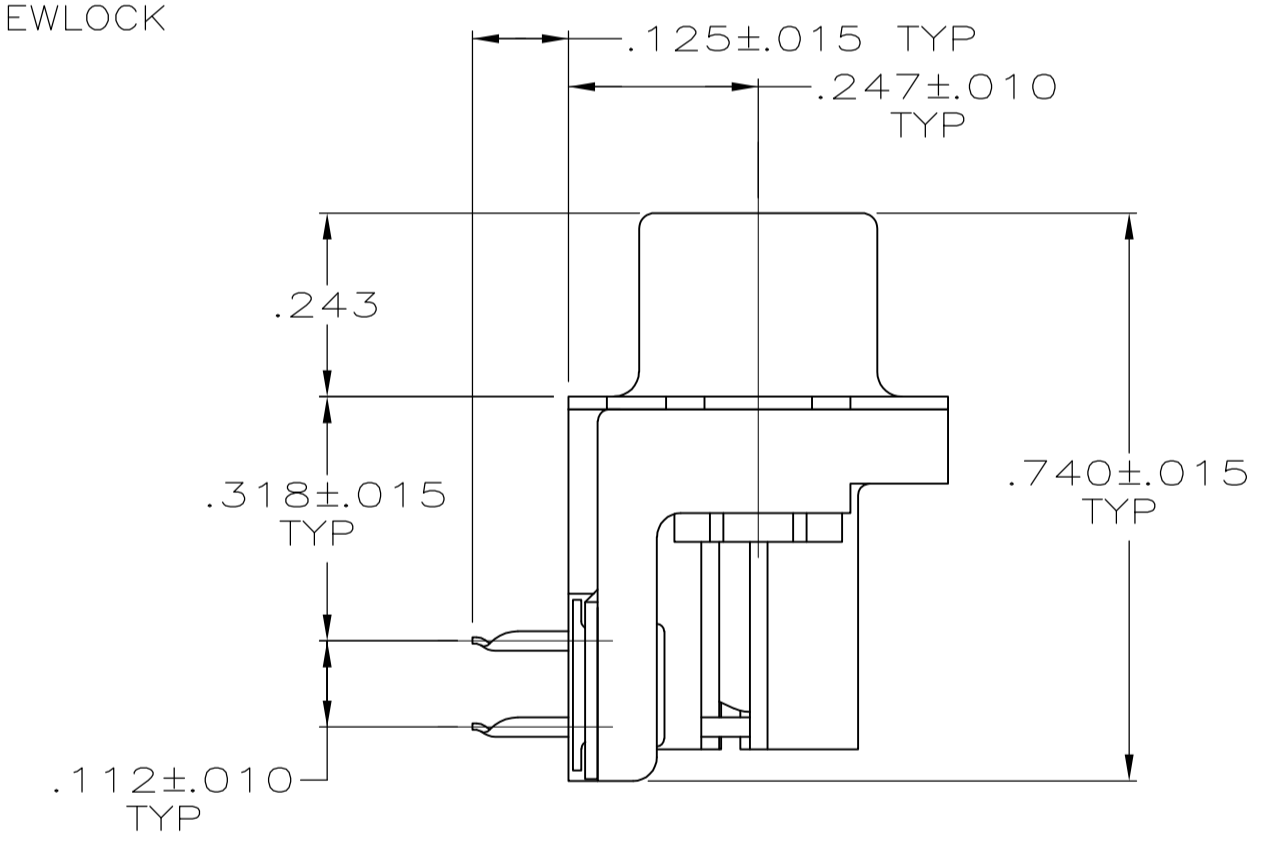
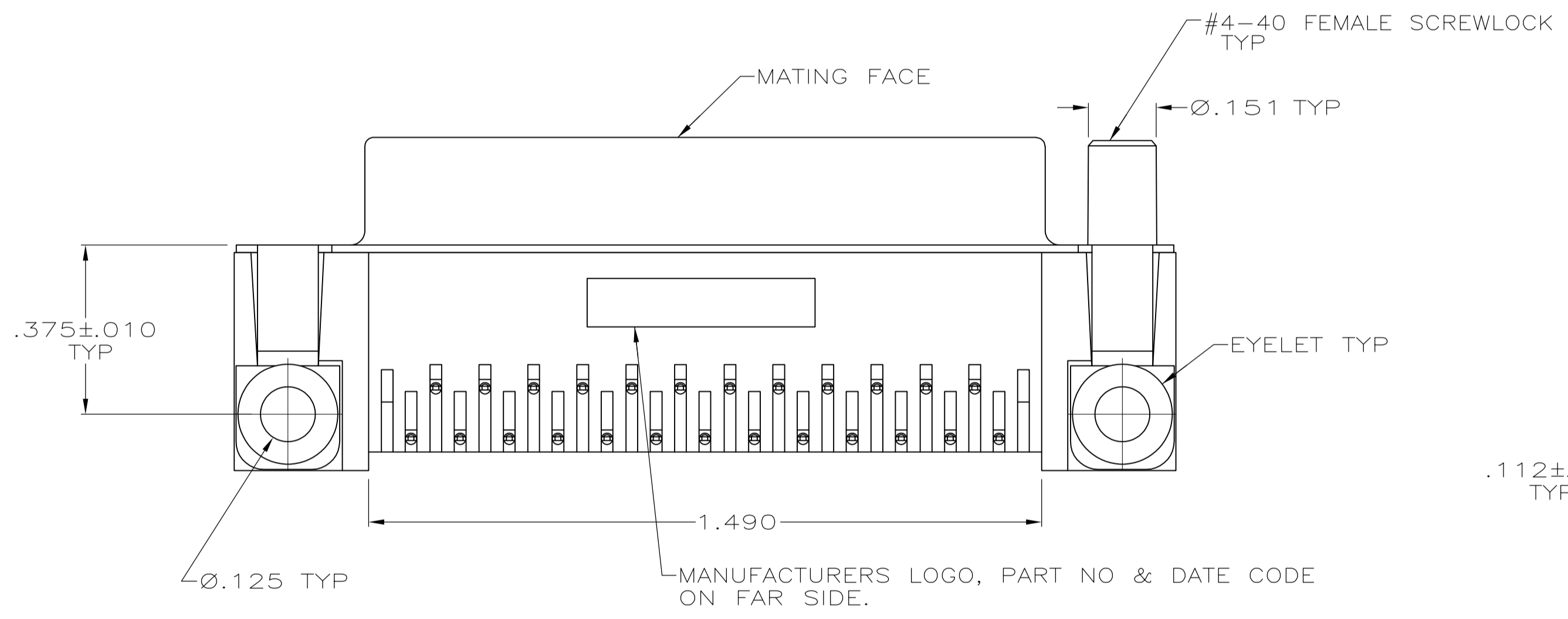
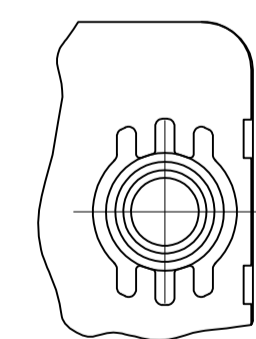


- ① MOLDED PARTS: FLAME RETARDANT 94V-0 RATED THERMOPLASTIC, BLACK.
SHELL: CARBON STEEL
CONTACTS: PHOSPHOR BRONZE
EYELETS: BRASS
SCREWLOCKS: ZINC
INSERTS: ZINC
- ② SHELL: .000100 MIN TIN OVER .000050 MIN COPPER.
CONTACTS: SEE TABLE
EYELETS: .000100 MIN TIN OVER COPPER FLASH.
SCREWLOCKS: CLEAR CHROMATE
INSERTS: CLEAR CHROMATE
- ③ GOLD FLASH FOR A DISTANCE OF .100 MIN FROM MATING END, .000100 MIN TIN ON OPPOSITE END, ALL OVER .000050 MIN NICKEL.
- ④ .000030 MIN GOLD FOR A DISTANCE OF .100 MIN FROM MATING END, .000100 MIN TIN ON OPPOSITE END, ALL OVER .000050 MIN NICKEL.



RECOMMENDED P.C. BOARD MOUNTING DIMENSIONS



DETAIL M
FOR -5 & -6 ONLY

| | | |
|-------------------|----------------|-------------|
| FEMALE SCREWLOCKS | ④ | 5745783-6 |
| FEMALE SCREWLOCKS | ③ | 5745783-5 |
| THREADED INSERTS | ④ | 5745783-4 |
| THREADED INSERTS | ③ | 5745783-3 |
| NONE | ④ | 5745783-2 |
| MOUNTING HARDWARE | CONTACT FINISH | PART NUMBER |

| | | | | | |
|--|-----------|--------------------------------|--------------|---|---------------|
| THIS DRAWING IS A CONTROLLED DOCUMENT. | | DIN A FERNANDEZ-DOCKS 04-06-05 | | TE Connectivity | |
| DIMENSIONS: INCHES | | CHK S BOLASH 04-06-05 | | NAME | |
| TOLERANCES UNLESS OTHERWISE SPECIFIED: | | APVD M WALMSLEY 04-06-05 | | RCPT ASSY, SIZE 3, 25 POSN, RTANG, AMPLITE HD-20, WITH METAL SHELL, WITH OR WITHOUT SCREWLOCKS OR INSERTS | |
| 0 PLC ± - | 1 PLC ± - | 2 PLC ± - | 3 PLC ± .005 | 4 PLC ± - | ANGLES ± ° |
| MATERIAL | FINISH | SIZE | CAGE CODE | DRAWING NO | RESTRICTED TO |
| ① | ② | A1 | 108-40025 | 114-40010 | — |
| CUSTOMER DRAWING | | SCALE | 4:1 | SHEET | 1 OF 1 |
| | | REV | | | P |

**COPYRIGHT 2005
TE CONNECTIVITY CORP
ALL RIGHTS RESERVED**